



LXS-15E~50E

NG1

**MULTI-JET WET
TYPE VANE WHEEL
WATER METER**

Application

Measuring the volume of cold potable water passing through the pipeline.

Features

c-type new developed water meter, a pointer-roller indicator, low starting flow rate, easy and clear reading etc.

Note:

1. Technical data conform to International Standard ISO4064
2. Available in hot water meter LXS/R-15E~50E size range from 15mm to 50mm on request.

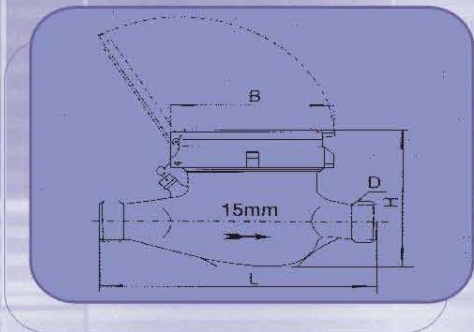
MULTI-JET WET TYPE VANE WHEEL WATER METER

Working Condition

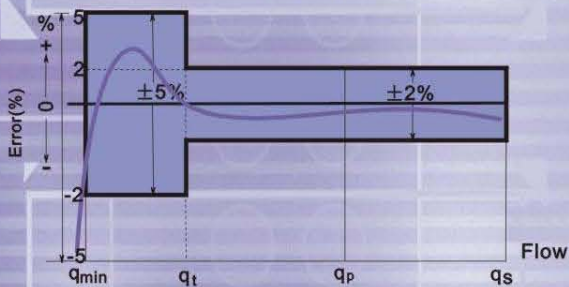
Water temperature:
 ≤40°C for cold potable water meter
 ≤90°C for hot water meter
 Water pressure: ≤1Mpa

Maximum Permissible Error

- a) In the lower zone from Q_{min} inclusive up to but excluding Q_t is $\pm 5\%$
- b) In the upper zone from Q_t inclusive up to and including Q_s is cold potable water meter $\pm 2\%$
 (Hot water meter $\pm 3\%$)



Flow Error Curve



Main Technical Data

| Type | Size mm | Class | Q_s Max. Flow | Q_p Nominal Flow | Q_t Transitional Flow | Q_{min} Min Flow | Min. Reading | Max. Reading |
|---------|---------|-------|-----------------|--------------------|-------------------------|--------------------|--------------|--------------|
| | | | | | | | | |
| LXS-15E | 15 | A | 3 | 1.5 | 0.15 | 60 | 0.0001 | 99999 |
| | | B | | | 0.12 | 30 | | |
| | | C | | | 0.0225 | 15 | | |
| LXS-20E | 20 | A | 5 | 2.5 | 0.25 | 100 | 0.0001 | 99999 |
| | | B | | | 0.20 | 50 | | |
| | | C | | | 0.0375 | 25 | | |
| LXS-25E | 25 | A | 7 | 3.5 | 0.35 | 140 | 0.0001 | 99999 |
| | | B | | | 0.28 | 70 | | |
| | | C | | | 0.0525 | 35 | | |
| LXS-32E | 32 | A | 12 | 6 | 0.60 | 240 | 0.0001 | 99999 |
| | | B | | | 0.48 | 120 | | |
| | | C | | | 0.09 | 60 | | |
| LXS-40E | 40 | A | 20 | 10 | 1.00 | 400 | 0.001 | 999999 |
| | | B | | | 0.80 | 200 | | |
| | | C | | | 0.24 | 100 | | |
| LXS-50E | 50 | A | 30 | 15 | 1.50 | 600 | 0.001 | 999999 |
| | | B | | | 1.20 | 300 | | |

Dimensions and Weight

| Type | size | Length L | Width B | Height H | Connecting Thread D | Weight kg |
|---------|------|----------|---------|----------|---|-----------|
| | | | | | | |
| LXS-15E | 15 | 165 | 98 | 104 | G 3/4B | 1.2/1.3 |
| LXS-20E | 20 | 190/195 | 98 | 106 | G 1 B | 1.3/1.4 |
| LXS-25E | 25 | 260/225 | 103 | 112 | G1 1/4B | 1.65/1.57 |
| LXS-32E | 32 | 260/230 | 103 | 117 | G1 1/2B | 2.23/2 |
| LXS-40E | 40 | 300/245 | 124 | 147 | G 2B | 4/4.4 |
| LXS-50E | 50 | 300/280 | 125 | 172 | G2 1/2B | 4.3 |
| | | | | | GB4216.4-84 D= ϕ 165 D1= ϕ 125 | 10/5 |

Pressure Loss Curve

